

Astro Timber **New**

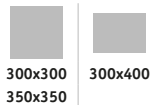
I
Connubio tra il futuro e il classico.
Adatto per tutti gli ambienti.
Telaio in alluminio con finitura legno.

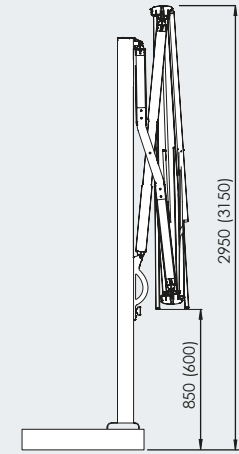
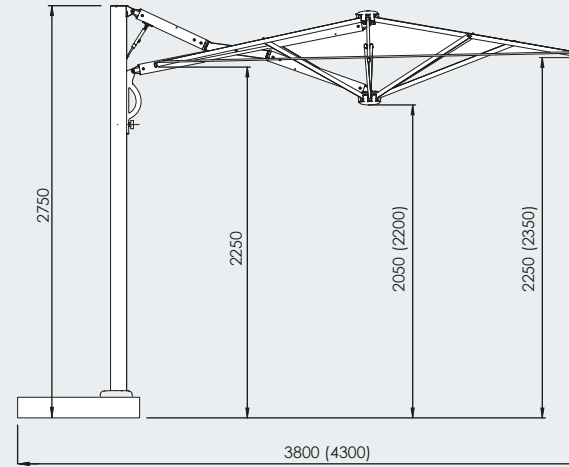
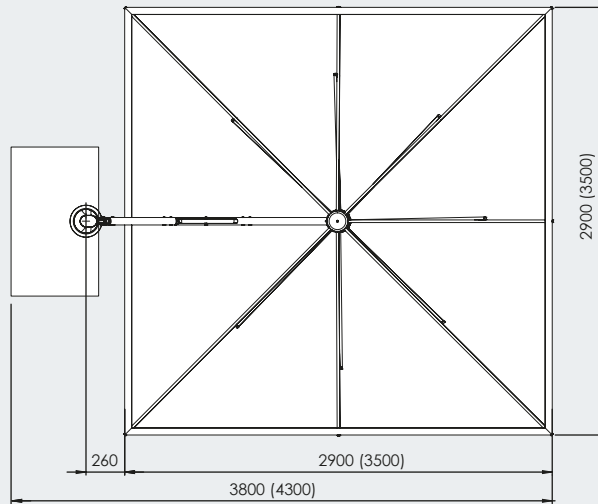
EN
Combination between the future and the classic.
Suitable for all environments.
Aluminium frame with wooden effect.

D
Kombinat von Zukunft und Klassiker.
Geeignet fuer alle Bereiche.
Aluminiumgestell mit Holzoptik.

F
Mariage entre l'avenir et le classique.
Pour tous les environnements.
Armature en aluminium avec effet bois.

E
Connubio entre el future y el classico.
Por todos los ambientes.
Marco de aluminio con efecto madera

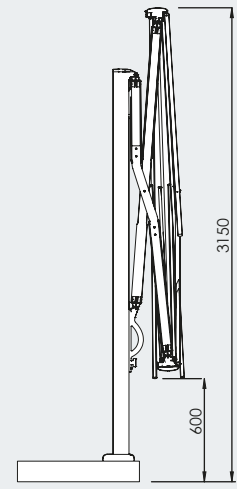
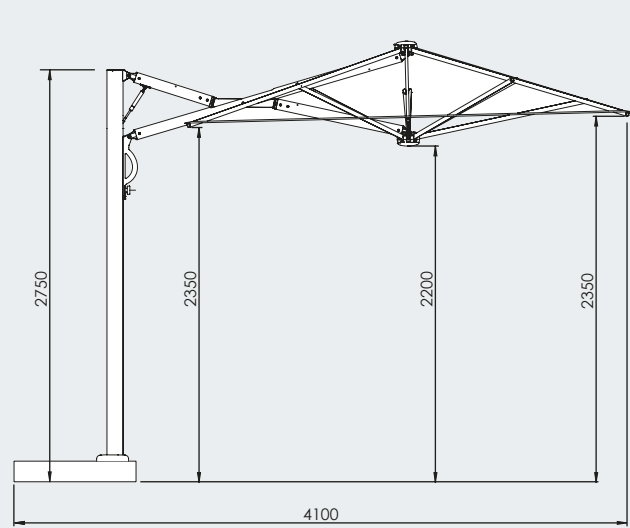
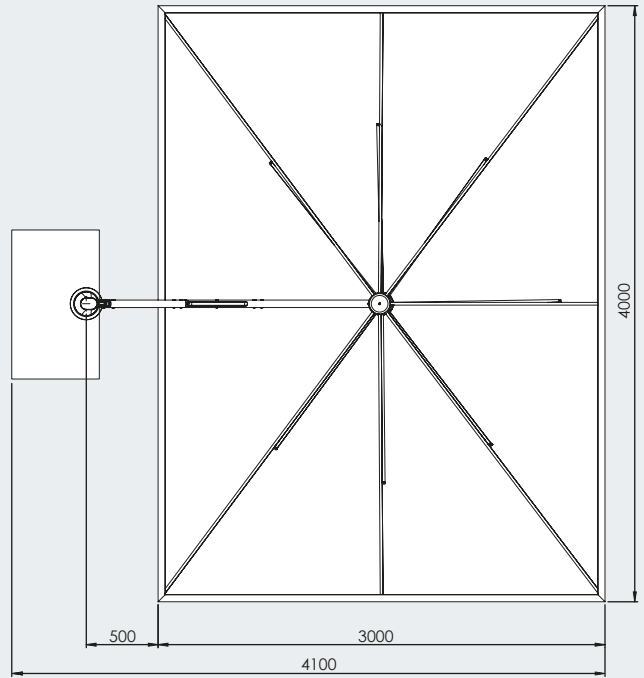




Astro

Timber
StarWhite
Carbon
Titanium

Icon	COD	KG	MP	Icon	CHARACTERISTICS				FINISHING						
					Icon	Icon	Icon	Icon	Icon	Icon	Icon	Icon	Icon	Icon	Icon
3,0x3,0	TIMBER C3030 ASL	55	0,45	110x76	TIMBER	8	TIMBER	18x30	●	●	●	●	●	●	●
	STARWHITE C3030 ASW				STARWHITE		STARWHITE								
	CARBON C3030 ASC				CARBON		CARBON								
	TITANIUM C3030 AST				TITANIUM		TITANIUM								
3,5x3,5	TIMBER C3535 ASL	60	0,45	110x76	TIMBER	8	TIMBER	18x30	●	●	●	●	●	●	●
	STARWHITE C3535 ASW				STARWHITE		STARWHITE								
	CARBON C3535 ASC				CARBON		CARBON								
	TITANIUM C3535 AST				TITANIUM		TITANIUM								
3,0x4,0	TIMBER C3040 ASL	60	0,45	110x76	TIMBER	8	TIMBER	18x30	●	●	●	●	●	●	●
	STARWHITE C3040 ASW				STARWHITE		STARWHITE								
	CARBON C3040 ASC				CARBON		CARBON								
	TITANIUM C3040 AST				TITANIUM		TITANIUM								



A1	T2	T3	T6	T7	T8	T9	S1		
A1N	T2N	T3N	T6N	T7N	T8N	T9N	S1N		
A1N	T2N	T3N	T6N	T7N	T8N	T9N	S1N		
A1N	T2N	T3N	T6N	T7N	T8N	T9N	S1N		

OPTIONAL

N°4 BC5151
N°12 BC5050

N°2 BV5050

SEE PAGE 34
FISSAGGIO TERRA
GROUND FIXING

Fabric collection



FATTORE DI PROTEZIONE SOLARE

Limita il passaggio del calore per più del 70%.
Normativa UNI EN 410:2011

SOLAR PROTECTION FACTOR

Harmful UV rays and limiting heat circulation
Norm UNI EN 410:2011



FATTORE DI PROTEZIONE LUMINOSA

Indica la percentuale di trasmissione della luce
Normativa UNI EN 410:2011

FACTOR OF SOLAR LIGHT PROTECTION

% of light transmission
Norm UNI EN 410:2011



FATTORE DI PROTEZIONE UPF

Protezione dai raggi UV. (UPF) dal 85% al 100%
Normativa UNI EN 13758-1:2007

UPF PROTECTION FACTOR





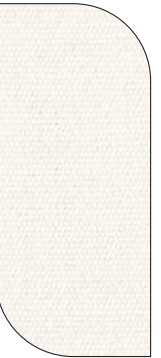






Harmful UV rays. (UPF) from 85% almost 100%
Norm UNI EN 13758-1:2007

SCHEDA TECNICA / DATA SHEET

COMPOSIZIONE / COMPOSITION	CARATTERISTICHE / FINISHING	SOLIDITÀ AL COLORE / COLOR FASTNESS	TRATTAMENTO / TREATMENT	IMPERMEABILITÀ / COLONNA D'ACQUA IMPERMEABILITY / WATER COLUMN
350 gr/m2 100% ACRYL	Inattaccabile da muffe e batteri. Solido alla luce Permeabile all'aria Antimacchia	GRADO 7/8 ENSIO 105-B04	RESINE TEFLON IDRO-OLEOREPELLENZA	CIRCA 25 CM
350 gr/m2 100% ACRYL	Resistant to mold and bacteria. Color fast. Breathable. Stain REPELLENT.	GRADE 7/8 ENSIO 105-B04	TEFLON RESIN WATER-OILREPELLENCY	ABOUT 25 CM



Fabric collection

								
350 GR/M² ACRYLIC	A1 ECRU NATURAL COL. NATUR	T2 TERRACOTTA ZIEGELROT TERRACOTTA	T3 BORDEAUX	T6 GRIGIO TAUPE GREY TAUPE GRAU TAUPE GRIS TAUPE GRIJS TAUPE	T7 BIANCO WHITE BLANC WEISS	T8 GRIGIO PERLA SILVER GREY SILBERGRAU	T9 GRIGIO ANTRACITE ANTHRACIT GREY ANTHRACITGRAU	S1 NERO / BLACK SCHWARZ NOIRE NEGRO ZWART
	70/80%	> 90%	> 90%	> 90%	70/80%	> 90%	> 90%	> 90%
	20/30%	< 10%	< 10%	< 10%	20/30%	< 10%	< 10%	< 10%
	85/89%	100%	100%	100%	85/89%	100%	100%	100%

I dati forniti, pur essendo frutto di misurazioni scientifiche condotte in laboratori certificati, sono da ritenersi indicativi.
The above mentioned data are indicative, although provided by scientific measurements performed in certified laboratories.



.Dimensione (metri)
 .Dimensions (meters)
 .Masse (Meter)
 .Dimensions (metrès)
 .Dimensiones (en metros)
 .Afmeting in (meters)



.Stecche
 .Ribs
 .Streben
 .Baleines
 .Varillas
 .Baleinen



.Sistema retrattile
 .Retractile system
 .Einziehbares System
 .Système retractile
 .Sistema retráctil
 .Inklapbaar systeem



.Massima Stabilità Ottenibile
 .Maximum Obtainable Stability
 .Maximal Erhaeltliche Stabilitaet
 .Maximum De Stabilite Realisable
 .Maxima Estabilidad Posible
 .Maximaal Bereikbare Stablieit



.Codice
 .Code
 .Artikelcode
 .Code
 .Código
 .Artikelcode



.Set canaline
 .Raugutter set
 .Regrinnen
 .Set gouttières
 .Canalizador Lluvias
 .Set regengoten



.Piastre cemento
 .Cement slabs
 .Kiesbetonplatten
 .Dalles ciment
 .Planchas de cemento
 .Betontegel



.Peso consigliato in condizioni normali
 .Recommended weight in normal condition
 .Empfohlenes gewicht unter normalen bedingungen
 .Poids recommande dans des conditions normales
 .Peso recomendado en condiciones normales
 .Aanbevolen gewicht onder normale omstandigheden



.Lunghezza
 .Length
 .Laenge
 .Longueur
 .Longitud
 .Lengte



.Con base/supporto
 .With base/support
 .Mit Staender/Huelse
 .Avec base/support
 .Con base/ soporte
 .Inclusief standaard



.Stecca con sistema "easy change"
 .Ribs with "easy change" system
 .Streben mit "easy change" System
 .Baleines avec "easy change" système
 .Varillas con sistema de " cambio fácil"
 .Baleinen met het "easy change" systeem



.Peso minimo richiesto
 .Minimum ballast required
 .Erforderliches mindestgewicht
 .Poids minimum requis
 .Peso minimo requerido
 .Minimaal vereist gewicht



.Peso
 .Weight
 .Gewicht
 .Poids
 .Peso
 .Gewicht



.Sezione stecche
 .Rib section
 .Strebenprofil
 .Section baleines
 .Sección varillas
 .Profil baleinen



.Viteria in inox e ottone nichelato
 .Screws in Stainless steel and nickel plated brass
 .Edelstahlschrauben und vernickeltes Messing
 .Visserie inox et laiton nickelé
 .Tornillos en acero inoxidable y bronce niquelado
 .Schroeven van rvs en vernikkeld messing



.Volume (m³)
 .Volume (m³)
 .Volumen (m³)
 .Volume (m³)
 .Volumen (m³)
 .Volume (m³)



.Camino antivento
 .Wind cap
 .Windfang
 .Souffle
 .Chimenea antiviento
 .Windvang



.Tipo finitura della struttura/sostegno/componenti
 .Finishing for frame/structure/components
 .Ausfuehrung des Gestells/der Struktur/der Bestandteile
 .Finition armature/structure/composants
 .Tipo de acabado de la estructura/Soportes/componente



.Sezione sostegno (mm)
 .Support section (mm)
 .Mastprofil (mm)
 .Section support (mm)
 .Sección soporte (mm)
 .Mast (mm)



.Fodero
 .Cover bag
 .Schutzhuelle
 .Housse
 .Forro
 .Afdekhoes



.Colore dei componenti/stecche
 .Component/Ribs colour
 .Farbe der Bestandteile und Streben
 .Couleur des composants et baleines
 .Color de los componentes ò piezas/Varillas ò listones